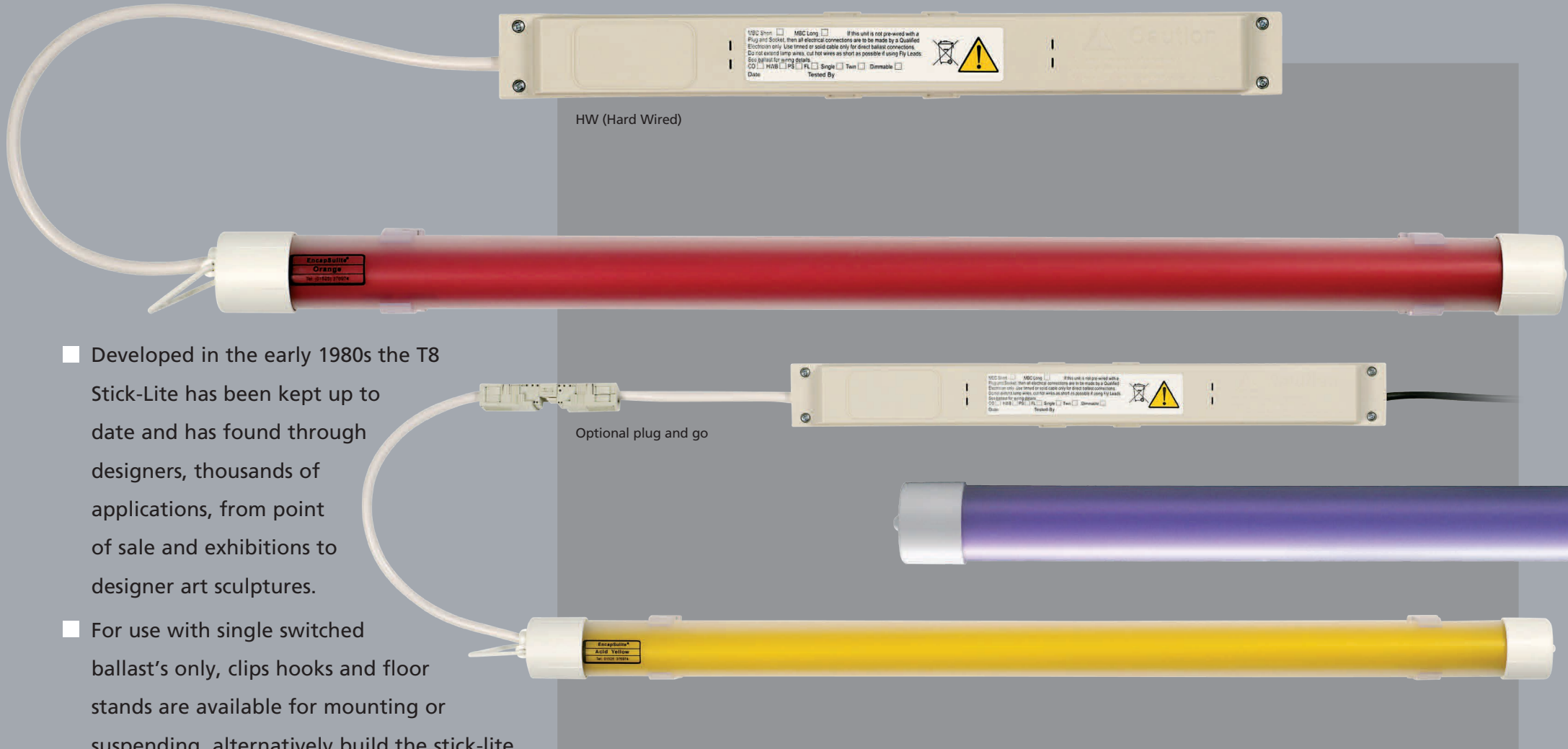


# T8 Stick-Lite Display lighting



- Developed in the early 1980s the T8 Stick-Lite has been kept up to date and has found through designers, thousands of applications, from point of sale and exhibitions to designer art sculptures.
- For use with single switched ballast's only, clips hooks and floor stands are available for mounting or suspending, alternatively build the stick-lite in to your own design.

Please see overleaf for installation and maintenance advice.

# T8 Stick-Lite Display lighting



## TECHNICAL INFORMATION

### For indoor applications only

#### LAMP

T8 triphosphor colour 840 are supplied as standard, lamp life 20,000 hours average, other colour temperatures available to order.

#### FIXING

Suspension hooks and mounting clips.

#### COLOURS

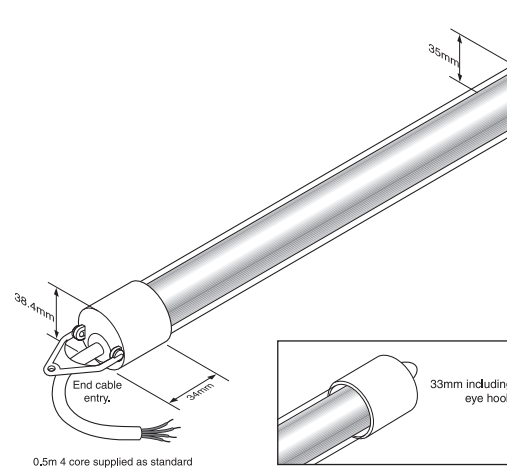
Colours available guaranteed fade free from our DDP range, Ice blue, sky blue, royal blue, purple, lavender, candy pink, pink, light red, red, light orange, orange, chrome green, leaf green, acid yellow and candlelight. Other filter colours available but not guaranteed fade free.

#### CONSTRUCTION

Satin polycarbonate outer casing 1.2mm wall x 35.4mm OD. End caps nylon 6 1.4mm x 38mm O/D. For indoor use only.

#### LAMP CABLE

4 core 0.75mm arctic grade PVC -40 – +70°C 300/500v must not be extended. Connect to suitable ballast only not directly to mains power. Internal wiring PFA 2 x 0.59mm 240v RMS BS3G210.



### OPERATION TEMPERATURE

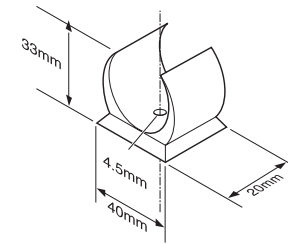
Operating temperature -18 – +50°C Note Lamps will run at reduced light output in colder temperatures and reduced life of ballast /lamp at higher temperatures.

### STANDARDS

Lamp holders EN60400 CE. Outer casing RTI 125, UL94 glow wire test 850c IEC695-2-1. End caps UL V0. Class1 or 2 product dependant on connected ballast type and wiring. Covers EMC/ LV requirements, CE WEEE and ROHS compliant.

### VOLTAGE

220v-240v, 110v AC available 50-60Hz, start up amps 0.98 operating amps 0.07 – 0.30 dependant on wattage. Please note power input must be via a suitable ballast not directly to mains voltage.



T8 clips with every Stick-Lite

Product Code	Overall Length	Illuminated Length
SLT8 15w	485mm	395mm
SLT8 18w	640mm	550mm
SLT8 30w	940mm	855mm
SLT8 36w	1240mm	1160mm
SLT8 58w	1540mm	1460mm
SLT8 70w	1810mm	1720mm

WARNING: Only use tinned or solid wire when terminating into Ballast.  
Do not extend lamp wires.  
Never replace lamps with HO/FQ High Output versions.



AS/NZS CISPR 15:2002; compatible with Tridonic.atco ECG



T8 End Cable

For Product support Freecall 1800 733 113 or Email [info@yld.com.au](mailto:info@yld.com.au)



T8 End Cable

Incorrect wiring or programming will invalidate all warranties.