

T5 Stick-Lite Display lighting

- The T5 Stick-Lite can be used to great effect, and designed into all kinds of projects where a standard batten fitting would be too ungainly and detract.
- White or coloured, switched or dimmable, part of an effect or the whole effect, the Stick-Lite range can be dramatic or subtle to suit any environment.



T5 clips with
every Stick-Lite

Please see over for installation and maintenance advice.

T5 Stick-Lite Display lighting



TECHNICAL INFORMATION

LAMP

T5 triphosphor colour 840 as standard, lamp life 20,000 hours average, other colour temperatures available to order.

FIXING

suspension hooks and mounting clips or clamps.

COLOURS

Colours available guaranteed fade free from our DDP range, ice blue, sky blue, royal blue, purple, lavender, candy pink, pink, light red, red, orange, light orange, chrome green, leaf green, acid yellow and candlelight. Other filter colours available but not guaranteed fade free.

VOLTAGE

220v-240v, 110v AC available 50-60Hz, start up amps 0.98 operating amps 0.07 – 0.30 dependant on wattage. Please note power input must be via a suitable ballast not directly to mains voltage.

LAMP CABLE

4 core 0.75mm arctic grade PVC -40 – +70° 300/500v must not be extended connect to suitable ballast only not directly to mains power. Internal wiring PFA 2 x 0.59mm 240v RMS BS3G210.

OPERATION TEMPERATURE

Operating temperature -18 – +50°C Note Lamps will run at reduced light output in colder temperatures and reduced life of ballast /lamp at higher temperatures. Dimming +10 – +50°C.

STANDARDS

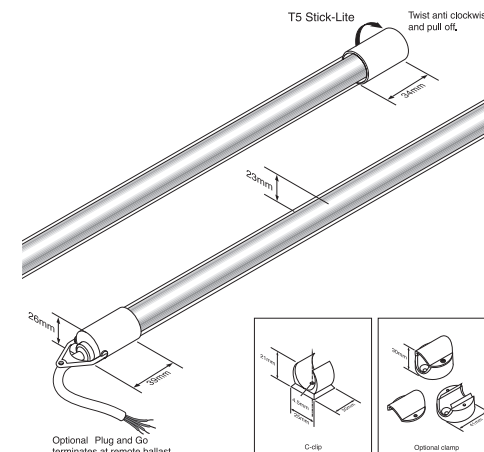
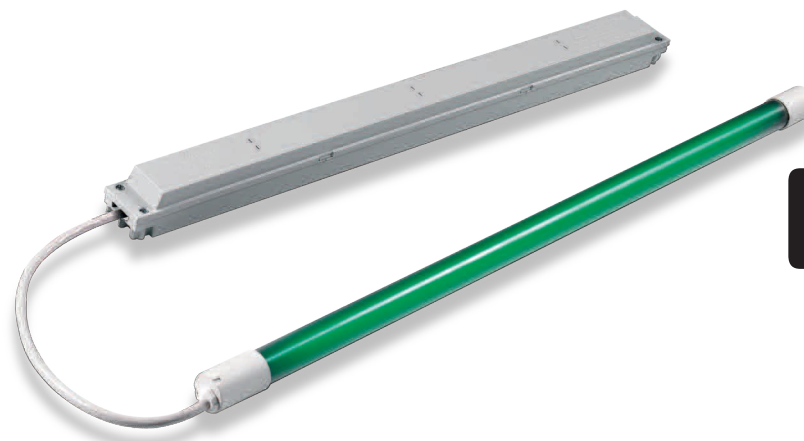
Lamp holders ENEC03 CE. Outer casing RTI 125, UL94 glow wire test 650c IEC695-2-1. End caps UL V2. Class1 or 2 product dependant on connected ballast type and wiring. Covers EMCLV requirements, CE WEEE and ROHS compliant. AS/NZS CISPR 15:2002; compatible with Tridonic.atco ECG N14710

CONSTRUCTION

Satin polycarbonate outer casing 1.2mm wall x 23mm OD. End caps nylon 6 1.4mm x 26mm O/D. For indoor use only.

DIMMING

Dimmable with 1-10v and up to 28w single ballast's only. Do not use twin ballasts or 35w lamps for dimming with stick-lites. Ensure the minimum dimming level setting does not allow the lamps to go out, the lamp should glow down the entire length at the minimum dimming level. Failure to ensure the lamp does not switch off at the minimum level will cause rapid lamp failure and invalidate all warranties on both the Stick-Lite and ballast. It is not possible to dim T5 lamps at temperatures below +10°C. For further information please request a separate installation sheet for Stick-Lites with remote ballast. Maximum cable length for dimming is 0.5m. Please call for further information.



Product Code	Overall Length	Illuminated Length
SLT5 8w	355mm	260mm
SLT5 13w	585mm	490mm
SLT5 14w	615mm	523mm
SLT5 21w	915mm	813mm
SLT5 28w	1215mm	1123mm
SLT5 35w	1515mm	1423mm

WARNING: Only use tinned or solid wire when terminating into Ballast. Do not extend lamp wires. Never replace lamps with HO/FQ High Output versions.



Incorrect wiring, testing or programming will invalidate all warranties.

For Product support Freecall 1800 733 113 or Email info@yld.com.au