

T5 Lamp Tray with Fly Leads

- The T5 lamp tray is a white-coated steel tray with lamp holders and Low smoke and Fume (LSF) fly leads fitted.
- For use with remote switched, or dimmable electronic ballasts, and suitable for all sorts of applications.
- Advantages include simple installation, quick lamp change, low profile and suitable for use with any of our DDP or COS coloured sleeves.
- T8 available to order.
- Dimmable available 1-10v, DSI or DALI.



HW/S ballast pictured, twin and dimmable available

Please see overleaf for installation and maintenance advice.

T5 Lamp Tray with Fly Leads



TECHNICAL INFORMATION

LAMP

T5 triphosphor colour 840 as standard, lamp life 20,000 hours average, other colour temperatures available.

FIXING

Two screws (not supplied) through rear of steel tray.

COLOURS

Colours available guaranteed fade free from our DDP range, Ice blue, sky blue, royal blue, purple, lavender, candy pink, pink, light red, red, orange, light orange, chrome green, leaf green, acid yellow, and candlelight. Other filter colours available from our COS range but not guaranteed fade free.

CONSTRUCTION

0.9mm pre coated white steel, figure of eight 0.8mm LSF solid cable and polycarbonate T5 lamp holders.

OPERATION TEMPERATURE

Switched -18 – +50°C. Dimmable +10 – +50°C. Please note lamps will run at reduced light output at lower temperatures.

WIRING

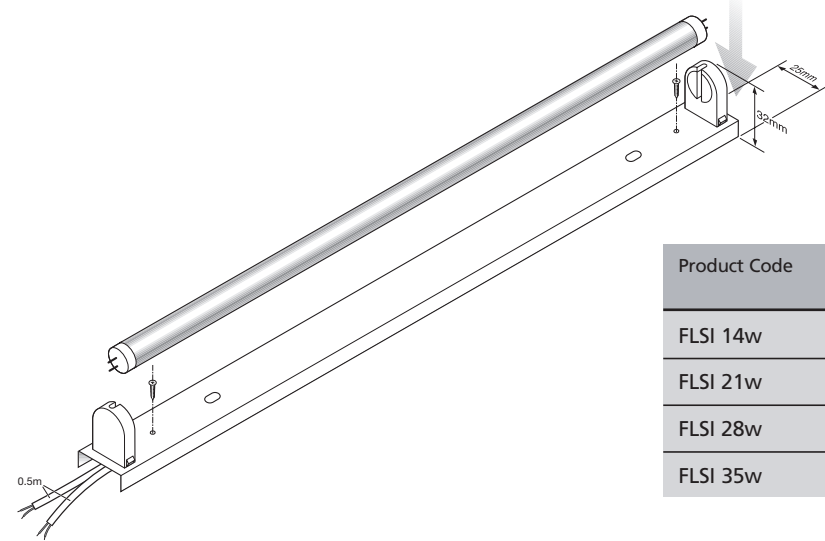
1mm solid low smoke and fume (LSF) 0.5m length supplied from one end of tray to be connected to suitable electronic ballast. Keep a minimum of 10mm space between trays if mounting side by side. Avoid bundling wiring or laying lamps close to power/lamp wiring.

STANDARDS

Covers EMC/LV requirements. CE, WEE and ROHS compliant.

VOLTAGE

Must be connected to a suitable electronic T5 ballast, not directly to the mains voltage. Ballasts available for 230 – 240v and 110v.



Product Code	Overall Length
FLSI 14w	577mm
FLSI 21w	877mm
FLSI 28w	1177mm
FLSI 35w	1477mm



Incorrect wiring or programming will invalidate all warranties.

For Product support Freecall 1800 733 113 or Email info@yld.com.au