

# T5 LK (Link Batten)

## Display lighting

- The T5 LK (Link Batten) is only available switched.
- Quick and easy to plug together.
- Link connector or link leads available.



Standard LK

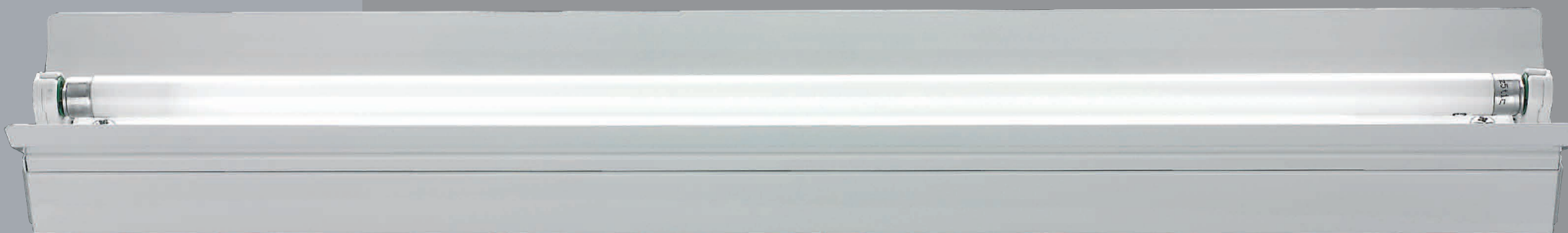
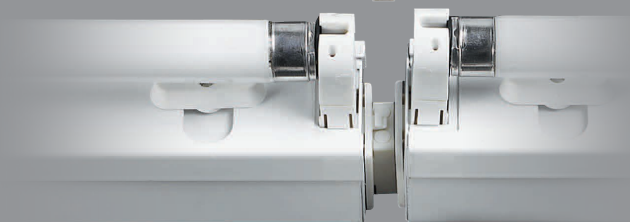


Asymmetrical reflector (optional)



Symmetrical reflector (optional)

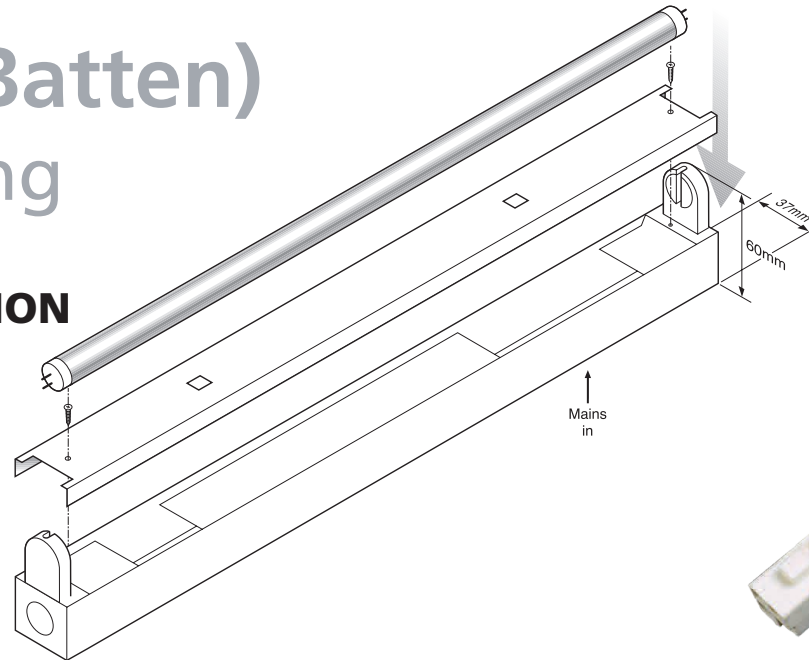
Link Connector



Incorrect wiring/programming will invalidate all warranties.  
Coloured sleeves, symmetrical and asymmetrical reflectors are all optional.  
Please note coloured sleeves are not recommended for use on HO Lamps.

# T5 LK (Link Batten) Display Lighting

## TECHNICAL INFORMATION



Link Lead – available in 0.5m and 2m lengths

### LAMP

T5 triphosphor colour 840 as standard, other colour temperatures to order. Typical lamp life T5 20,000 hrs, longer life lamps available as cost option.

### FIXING

2 screws through the fitting, (not included).

### COLOURS

Any lamp colour or our DDP coloured sleeves (guaranteed fade free) can be specified. Ice blue, sky blue, royal blue, purple, lavender, candy pink, pink, light red, red, orange, light orange, chrome green, leaf green, acid yellow and candlelight. Other filter colours available but not guaranteed fade free.

### CONSTRUCTION

Powder coated white steel box section, HF electronic ballast.

### WIRING AND CONNECTIONS

All internal wiring 1mm and 1.5mm solid. External wiring if supplied 1.5mm three core PVC.

### OPERATION TEMPERATURE

-20c – +50c Please note lamps will run at reduced light output in colder temperatures.

### STANDARDS

Complies with CE for Europe. Class 1 product, Covers EMC/LV requirements, CE WEEE and ROHS compliant Ballast EN61347, EN 55015, EN60929 EN61547 EN 61000-3-2. AS/NZS CISPR 15:2002



### VOLTAGE

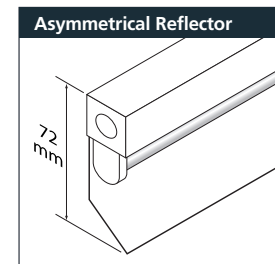
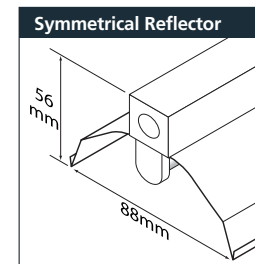
220v-240v AC 50-60Hz, Start up amps 0.98 operating amps 0.07- 0.30 dependant on wattage.

| T5 LK (Link Batten) |                |        |
|---------------------|----------------|--------|
| Product Code        | Overall Length | Lumens |
| T5B 14w LK          | 580mm          | 1350   |
| T5B 21w LK          | 880mm          | 2100   |
| T5B 28w LK          | 1180mm         | 2900   |
| T5B 35w LK          | 1480mm         | 3650   |

| T5 LK (Link Batten) HO Version |                |        |
|--------------------------------|----------------|--------|
| Product Code                   | Overall Length | Lumens |
| T5B 24w LK                     | 580mm          | 2000   |
| T5B 39w LK                     | 880mm          | 3500   |
| T5B 54w LK                     | 1180mm         | 5000   |
| T5B 80w LK                     | 1480mm         | 6500   |

| Reflector Product Codes |
|-------------------------|
| Symmetrical Reflector   |
| SR 14/24w               |
| SR 21/39w               |
| SR 28/54w               |
| SR35/49/80w             |

| Reflector Product Codes |
|-------------------------|
| Asymmetrical Reflector  |
| AR 14/24w               |
| AR 21/39w               |
| AR 28/54w               |
| AR35/49/80w             |



No dimmable option. See T5 LK D Batten pages 69-71.

For Product support Freecall 1800 733 113 or Email [info@yld.com.au](mailto:info@yld.com.au)