

# T5 KO Batten Display lighting



- The T5 KO Batten is available either switched or dimmable with DSI, DALI or 1-10v protocols and can be supplied with Emergency conversions incorporated within the 28w / 54w and 35w / 49w versions. Wiring from behind or through the ends of the T5 KO Batten.



Standard KO



Asymmetrical  
reflector (optional)



Symmetrical  
reflector (optional)



**Incorrect wiring/programming will invalidate all warranties.**

**Emergency conversions for 28w / 54w and 35w / 49w.**

**Coloured sleeves, symmetrical and asymmetrical reflectors are all optional.**

**Please note coloured sleeves are not recommended for use on HO Lamps.**

Please see overleaf for installation and maintenance advice.

# T5 KO Batten Display lighting

## TECHNICAL INFORMATION

### LAMP

T5 triphosphor colour 840 as standard, other colour temperatures to order. Typical lamp life T5 20,000 hrs, longer life lamps available as cost option.

### FIXING

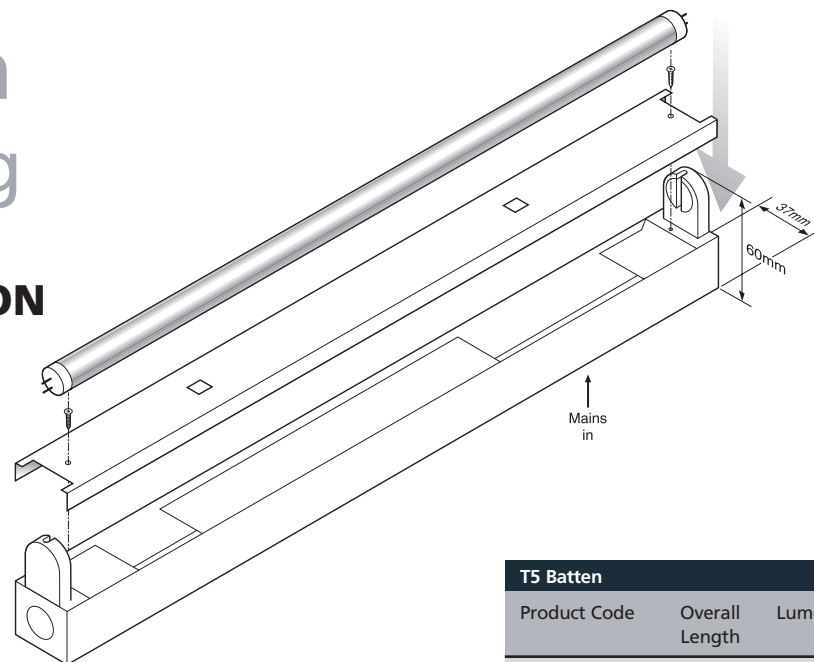
2 screws through the fitting, (not included).

### COLOURS

Any lamp colour or our DDP coloured sleeves (guaranteed fade free) can be specified. Ice blue, sky blue, royal blue, purple, lavender, candy pink, pink, light red, red, orange, light orange, chrome green, leaf green, acid yellow and candlelight. Other filter colours available but not guaranteed fade free.

### CONSTRUCTION

Powder coated white steel box section, HF electronic ballast.



### WIRING AND CONNECTIONS

All internal wiring 1mm and 1.5mm solid. External wiring if supplied 1.5mm three core PVC.

### OPERATION TEMPERATURE

-20c – +50c Please note lamps will run at reduced light output in colder temperatures.

### STANDARDS

Complies with CE for Europe. Class 1 product, Covers EMC/LV requirements, CE WEEE and ROHS compliant Ballast EN61347, EN 55015, EN60929 EN61547 EN 61000-3-2.

### VOLTAGE

220v-240v AC 50-60Hz, Start up amps 0.98 operating amps 0.07- 0.30 dependant on wattage.

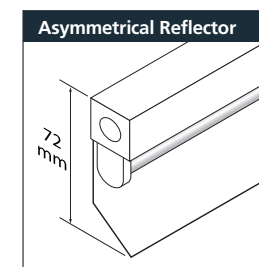
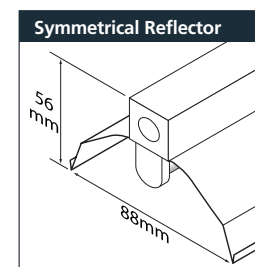


| T5 Batten    |                |        |
|--------------|----------------|--------|
| Product Code | Overall Length | Lumens |
| T5B 8w KO    | 316mm          | 450    |
| T5B 14w KO   | 575mm          | 1350   |
| T5B 21w KO   | 875mm          | 2100   |
| T5B 28w KO   | 1175mm         | 2900   |
| T5B 35w KO   | 1475mm         | 3650   |

| T5 Batten HO Version |                |        |
|----------------------|----------------|--------|
| Product Code         | Overall Length | Lumens |
| T5B 24w KO           | 575mm          | 2000   |
| T5B 39w KO           | 875mm          | 3500   |
| T5B 54w KO           | 1175mm         | 5000   |
| T5B 80w KO           | 1475mm         | 6500   |

| Reflector Product Codes |
|-------------------------|
| Symmetrical Reflector   |
| SR 14/24w               |
| SR 21/39w               |
| SR 28/54w               |
| SR35/49/80w             |

| Reflector Product Codes |
|-------------------------|
| Asymmetrical Reflector  |
| AR 14/24w               |
| AR 21/39w               |
| AR 28/54w               |
| AR35/49/80w             |



For dimmable option, add protocol version 1-10v, DSI or DALI to product code.

Incorrect wiring or programming will invalidate all warranties.

For Product support Freecall 1800 733 113 or Email [info@yld.com.au](mailto:info@yld.com.au)