

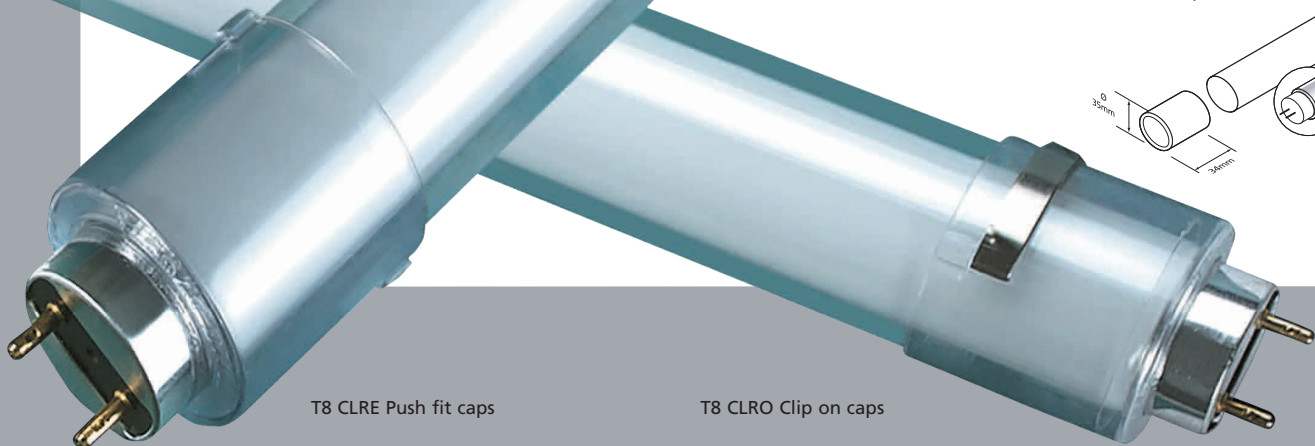
T5 & T8 Safety Sleeve

TECHNICAL INFORMATION



T5 CLRE Push fit caps

■ The Encapsulite clear safety sleeves have been widely used throughout the food and associated industries since 1969. Designed to protect personnel and equipment in the event of lamp breakage.



T8 CLRE Push fit caps

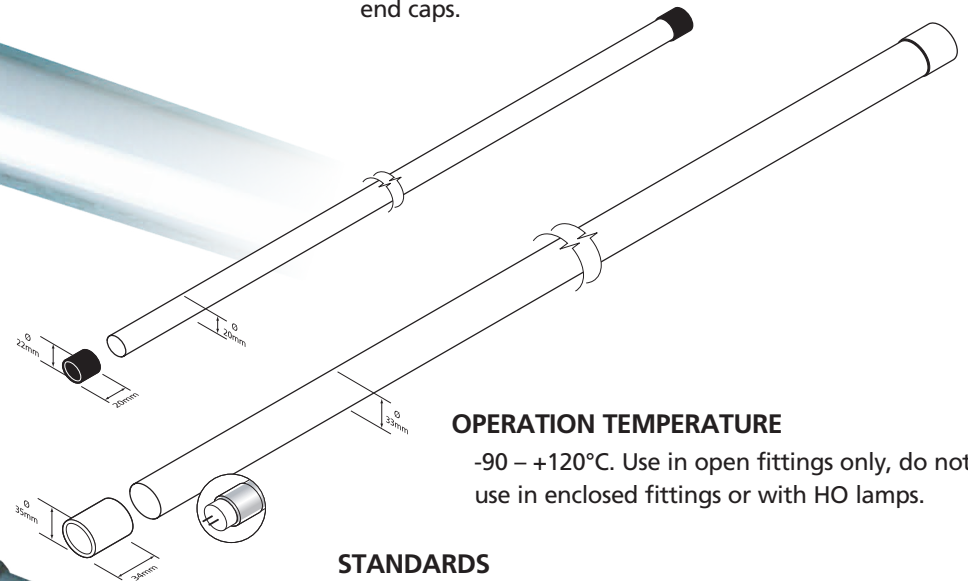
T8 CLRO Clip on caps

LAMP

Specific sizes to fit T5 and T8. Not suitable for HO lamps.

CONSTRUCTION

Clear Polycarbonate Calibre 603 tubing, Trirex 3020U end caps.



OPERATION TEMPERATURE

-90 – +120°C. Use in open fittings only, do not use in enclosed fittings or with HO lamps.

STANDARDS

Complies with health and safety food standards. CE, WEEE and ROHS compliant.

For Product support Freecall 1800 733 113 or Email info@yld.com.au