

Stick-Box Lite

Display lighting



- Simple lines, wall or ceiling mounted or suspended, switched or dimmable, white or coloured lamp options have all made the Stick-Box Lite a popular choice for designers who want something a little different.



Please see overleaf for installation and maintenance advice.



Stick-Box Lite

Display lighting



TECHNICAL INFORMATION

LAMP

T5 14w-35w colour 840 cool white, typical lamp life 20,000 hours. Other lamp colour temperatures to order.

FIXING

The Stick-Box Lite can be wall and ceiling mounted or suspended from wires.

COLOURS

Any lamp colour or DDP coloured sleeves (guaranteed fade free) can be specified. Ice blue, sky blue, royal blue, purple, lavender, candy pink, pink, light red, red, orange, light orange, chrome green, leaf green, acid yellow and candlelight. Other filter colours available but not guaranteed fade free.

CONSTRUCTION

Polycarbonate lamp casing 23mm x 1.2mm outside diameter. Nylon 6 end caps, Pre-coated white steel base centrally mounted.

WIRING

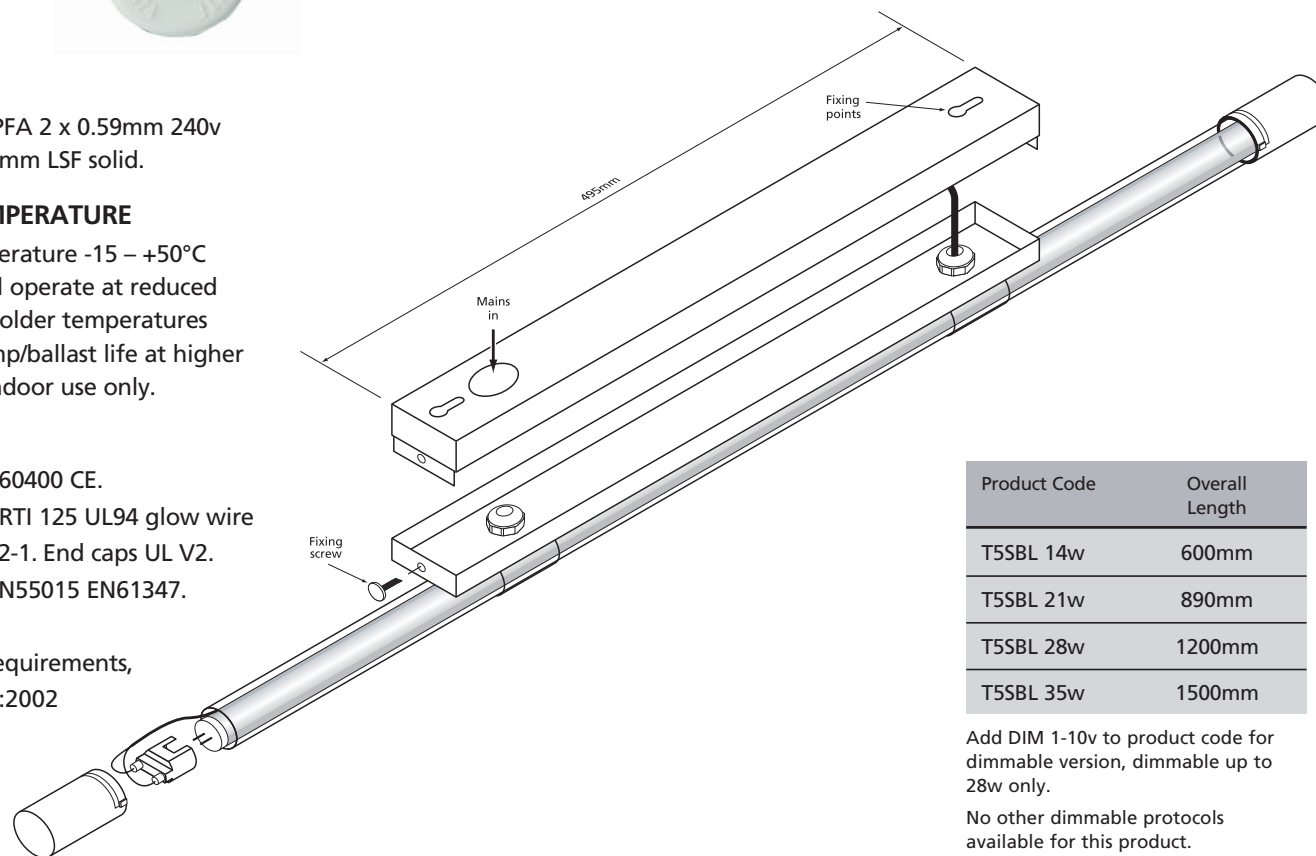
Internal wiring PFA 2 x 0.59mm 240v RMS BS3G210. 1mm LSF solid.

OPERATION TEMPERATURE

Operating temperature -15 – +50°C
 Note: Lamps will operate at reduced light output in colder temperatures and reduced lamp/ballast life at higher temperatures. Indoor use only.

STANDARDS

Lamp holders EN60400 CE.
 Outer lamp case RTI 125 UL94 glow wire test 650c IEC695-2-1. End caps UL V2.
 Class 1 product EN55015 EN61347.
 EN61000-3-2.
 Covers EMC/LV requirements, AS/NZS CISPR 15:2002
 CE WEEE and ROHS compliant.



Product Code	Overall Length
T5SBL 14w	600mm
T5SBL 21w	890mm
T5SBL 28w	1200mm
T5SBL 35w	1500mm

Add DIM 1-10v to product code for dimmable version, dimmable up to 28w only.

No other dimmable protocols available for this product.

