

MT-50 IP67

Waterproof lighting

- IP67 tested by BSI (not suitable for immersion).
- Glow wire test 850c.
- EN 60598-2-1 tested by BSI.
- Light transmission data available in ldt, ies, cls, CIBSE and pdf formats. Tested by 42 Partners.
- Suspension wire mounting optional.
- Secure mounting clips.
- 1.5mm thick polycarbonate housing – available in Satine or clear finish.
- Internal wiring Low Smoke and Fume (LSF).



Available in clear or satine finish:

- Standard = single cable gland at one end.
- Thru Wired = cable gland at each end.
- Plug and Go = pre-wired with 300mm cables and IP65-68 plugs both ends.

T5 lamps supplied in Col 840 as standard, 827, 830 and 865 available at no extra cost.

8w	400mm
14w	660mm
21w	960mm
28w	1260mm
35w	1560mm

Add 30mm to length for TW and PG versions.

Please see over for installation and maintenance advice.

See separate data sheet for LED Emergency Conversions including Auto Test, Self Test, DALI, Potential free and maintained / Non maintained options.

3 hour emergency conversions available for 21w, 28w and 35w only.

Incorrect wiring or programming will invalidate all warranties.

MT-50 IP67

Waterproof lighting

INSTALLATION AND MAINTENANCE


WIRING

Ensure all power supplies are disconnected prior to commencing any electrical work.

Undo the three screws two turns each.

Pull end cap out from the end of the tubing.

Feed a suitable three-core cable for your application, through the cable gland. (Cable gland supplied is suitable for 6-10mm cable diameter).

Terminate the cable into the connector Marked N (Neutral) E  L (Live).

Do not use in water.

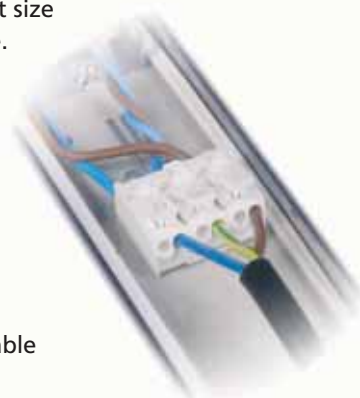
T5 Lamps cannot be dimmed in temperatures below +10°C.

Ensure the use of correct size cable gland to suit cable.

Do not Mega Test.

Please enquire to verify if this product is suitable for your application.

EncapSulite will not accept responsibility for products used in unsuitable applications.



RE-LAMPING

If re-lamping, twist lamp a quarter turn and lift out of lamp holders, replacement lamp shall be of the same wattage and only turned a quarter turn when fitted.

Slide the end cap down the cable and into the end of the tube ensuring a true fit.

Tighten the three screws evenly.

Check the seal around the inside of the tube is shiny all the way round confirming a good seal.

Tighten cable gland cap to ensure watertight seal for cable entry.



Mounting bracket and suspension kit



MOUNTING

Fix mounting clips to wall or ceiling, spaced approximately 100mm from light fitting ends.

Fit light to clips and tighten screws to clamp light, being careful not to over tighten as this could cause stress fractures in the outer casing.



TESTED TO IP67

Although tested to IP67, Encapsulite do not recommend immersion. Encapsulite have no control over the quality of workmanship carried out on site and do not accept responsibility for any units used in water.


The MT range is suitable for using with indoor and outdoor applications.

Type X MT (PG) If the MT fitting is supplied with an external plug and flexible cable that is damaged, it shall be replaced by a special plug and cable available exclusively from the manufacturer or our service agent.

Tested to EN 60598-2-1: 1989 / BSEN 60598-1: 2004. AS/NZS CISPR 15:2002

CE, WEEE and ROHS compliant.

230v 50-60Hz. 

 suitable for mounting on combustible surfaces.

Class 1 Product, Earth required.

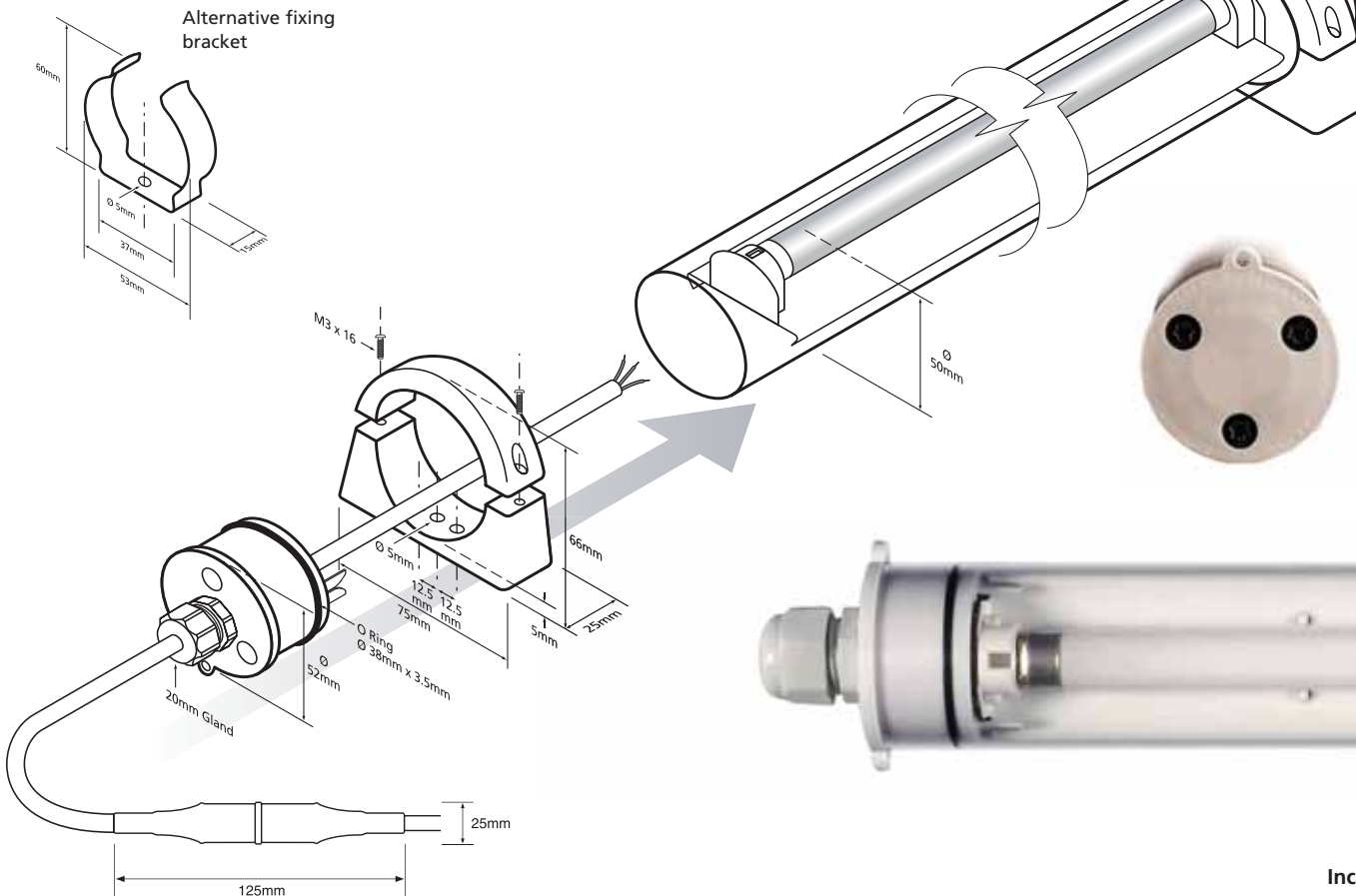
Incorrect wiring or programming will invalidate all warranties.

For Product support Freecall 1800 733 113 or Email info@yld.com.au

MT-50 IP67

Waterproof lighting

TECHNICAL INFORMATION



50 ST	
Product Code	Overall Length
MT50 8w	400mm
MT50 14w	660mm
MT50 21w	960mm
MT50 28w	1260mm
MT50 35w	1560mm

MT50 TW/PG	
Product Code	Overall Length
MT50 8w	430mm
MT50 14w	690mm
MT50 21w	990mm
MT50 28w	1290mm
MT50 35w	1590mm

Overall length includes cable gland.

Please note all plastics absorb moisture and this phenomena will produce more condensation in fittings directly exposed to rain for extended periods than those that are not. Please call for more information if required.

Not suitable for steam rooms/saunas and environments with airborne chemicals. Do not clean with any chemicals, T5 and T8 lamps not suitable for dimming outdoors or below +10°C.

Incorrect wiring, testing or programming will invalidate all warranties.

For Product support Freecall 1800 733 113 or Email info@yld.com.au