

AXB-T5

Display Lighting

- Switched or Dimmable.
T5 HE or HO lamps.
- DALI, DSI, 1-10v.
- Mirror reflector built in.
- Surface mount brackets included.
- Suspension cost option.
- EC Emergency Conversion available.
- DDP Coloured sleeves (Not HO Lamps).
- Wired from rear, no need to take fitting apart to install.
- EN 60598-2-1.
- Diffuser GWT Glow wire test 650°C.
- Light transmission data ldt, ies, cls, CIBSE and pdf.



Also available with LED. Please enquire.

For product support Freecall 1800 733 113 or Email info@yld.com.au

Please see over for installation/instructions.

AXB-T5

Display Lighting



TECHNICAL INFORMATION:

LAMP

T5 14-35w or 24-80w colour 840 cool white, typical lamp life 20,000 hours. Other lamp colour temperatures available.

FIXING

The AP-T5 Stick can be wall and ceiling mounted or suspended from wires.

COLOURS

Any lamp colour or DDP coloured sleeve (guaranteed fade free can be specified for the HE 14w 21w 28w or 35w lamps, coloured sleeves are not suitable for the HO 24-80w lamps.

Ice blue, sky blue, royal blue, purple, lavender, candy pink, pink, light red, red, orange, light orange, chrome green, leaf green, acid yellow and candlelight.

Other colours available but not guaranteed fade free.

CONSTRUCTION

Polycarbonate diffuser, aluminium lamp housing, steel reflector, electronic ballast and T5 lamp.

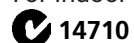
OPERATION TEMPERATURE

Switched -15 - +50c.

Dimmable +10 – +50°C.

Note lamps will operate at reduced light output at lower temperatures and reduced lamp/ballast life at higher temperatures.

For indoor use only.



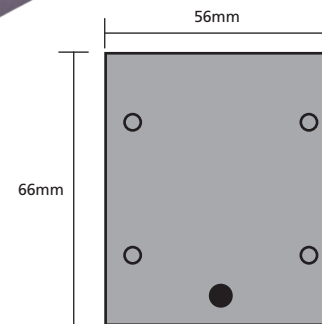
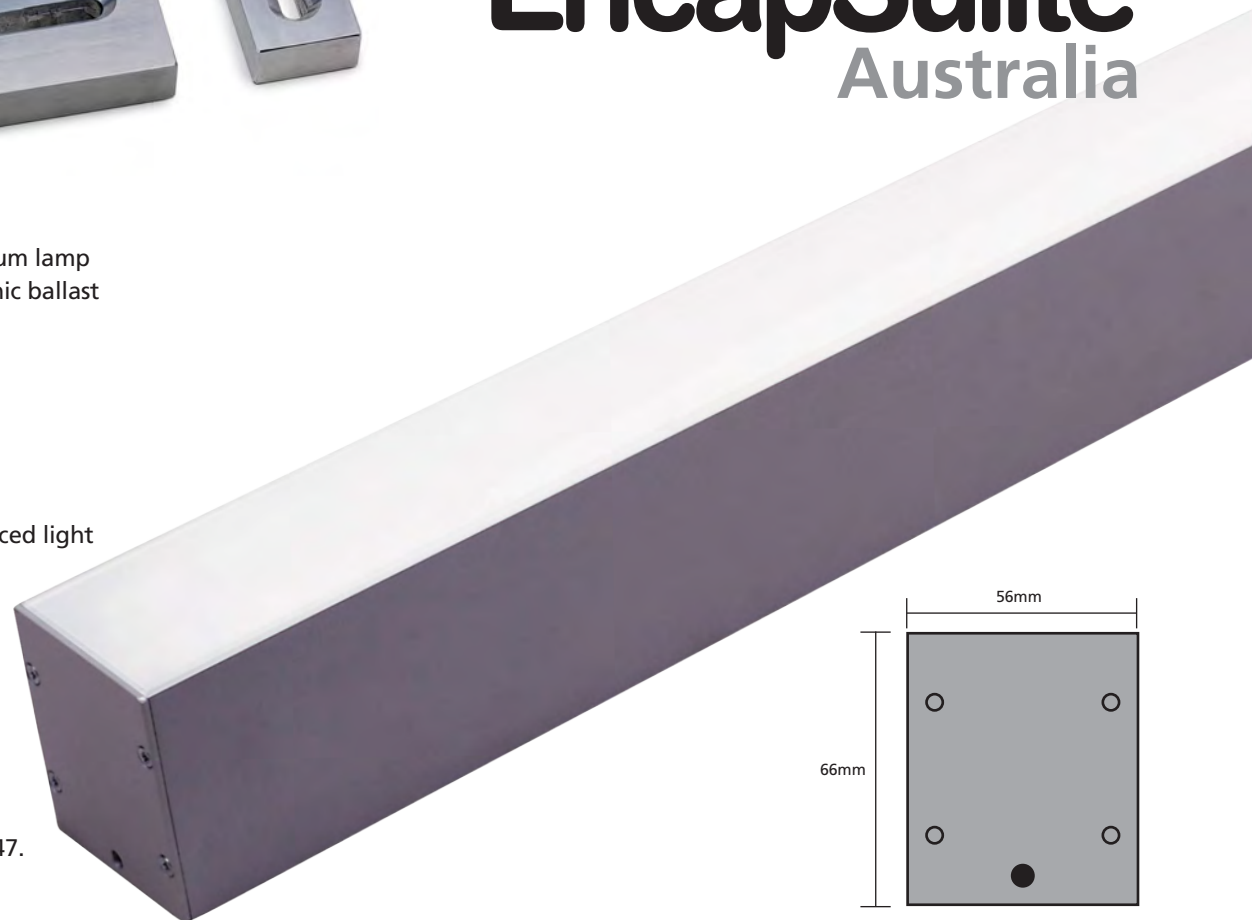
STANDARDS

Diffuser 650c GWT.

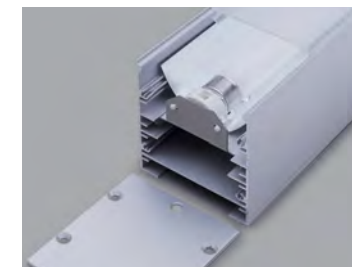
Class 1 product EN55015 EN61347.

EN61000-3-2 EN60598-2-1.

Covers EMC/LV requirements, CE WEEE and ROHS compliant.



Product code	HE	HO	Length
AXB-T5	14w	24w	581mm
AXB-T5	21w	39w	881mm
AXB-T5	28w	54w	1181mm
AXB-T5	35w	80w	1481mm



**For product support Freecall 1800 733 113
or Email info@yld.com.au**