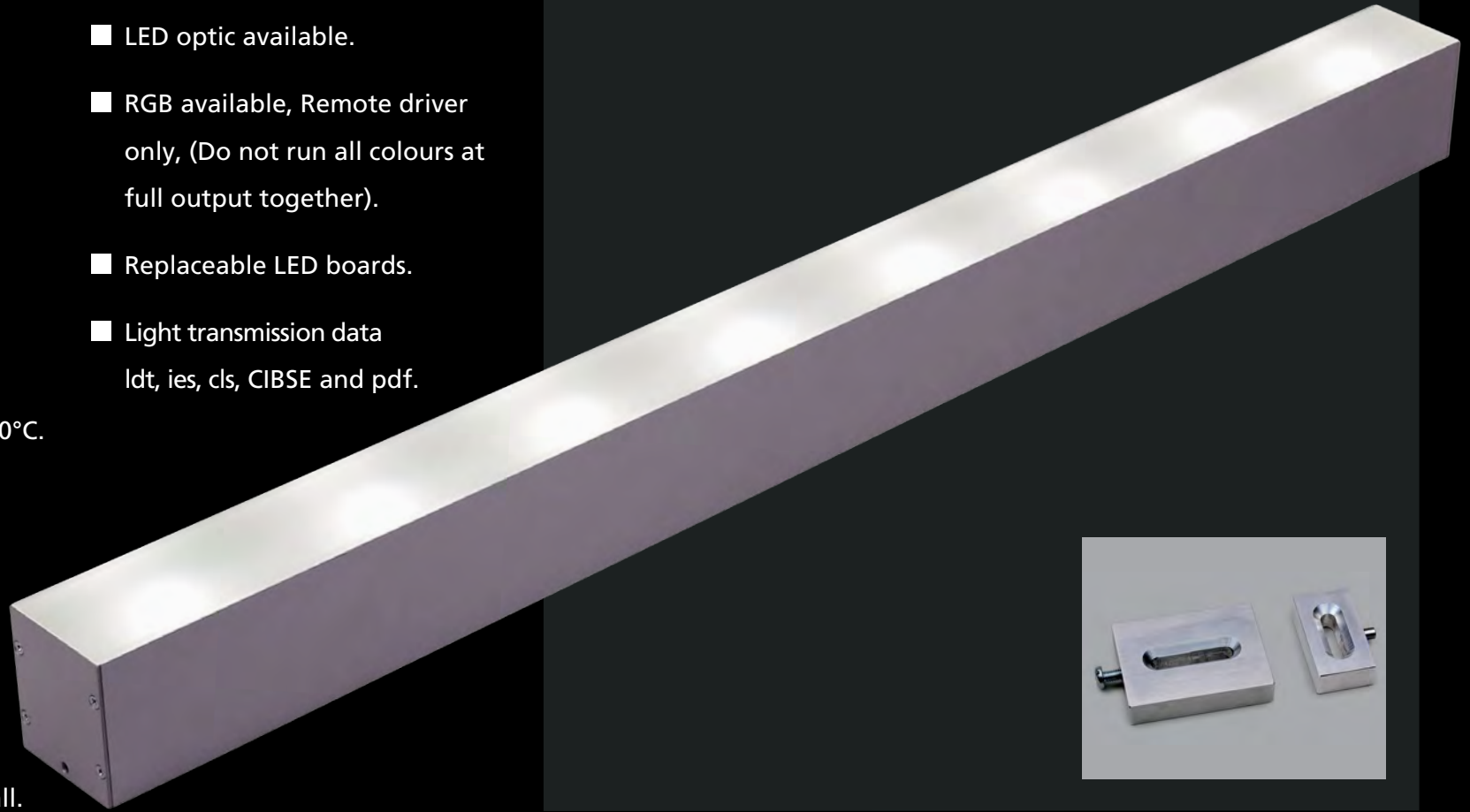


AXB-LED

Display Lighting

- Switched or dimmable Rebel LEDs.
- DALI, 1-10v and mains dimmable integral drivers, (can be remote if required).
- Constant current 350mA 180-260v AC.
- Over voltage/temperature protection.
- Operating temp -25°C to +50°C.
- Surface mounted brackets included.
- Suspension cost option.
- EN60598-2-1.
- Wired from rear, no need to take fitting apart to install.
- Diffuser (GWT) Glow wire test 650°C.
- Level criteria A.
- LED optic available.
- RGB available, Remote driver only, (Do not run all colours at full output together).
- Replaceable LED boards.
- Light transmission data ldt, ies, cls, CIBSE and pdf.



Although we keep a reasonable stock, certain LED products and order sizes have a 4-6 week delivery. Please enquire.

For product support Freecall 1800 733 113 or Email info@yld.com.au

Please see over for installation/instructions.

AXB-LED

Display Lighting

TECHNICAL INFORMATION:

LED

Philips Luxeon Rebel, typical LED life 50,000 hours.
White available in 3000k 4000k or 6000k, RGB and other LED colours available to order.

FIXING

The AXB-LED can be wall and ceiling mounted or suspended from wires, driver integral.

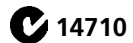
CONSTRUCTION

Polycarbonate diffuser, aluminium housing, electronic driver.

OPERATION TEMPERATURE

-25 – +50°C note LEDs will have a reduced lamp/driver life at higher temperatures.

For indoor use only.



STANDARDS

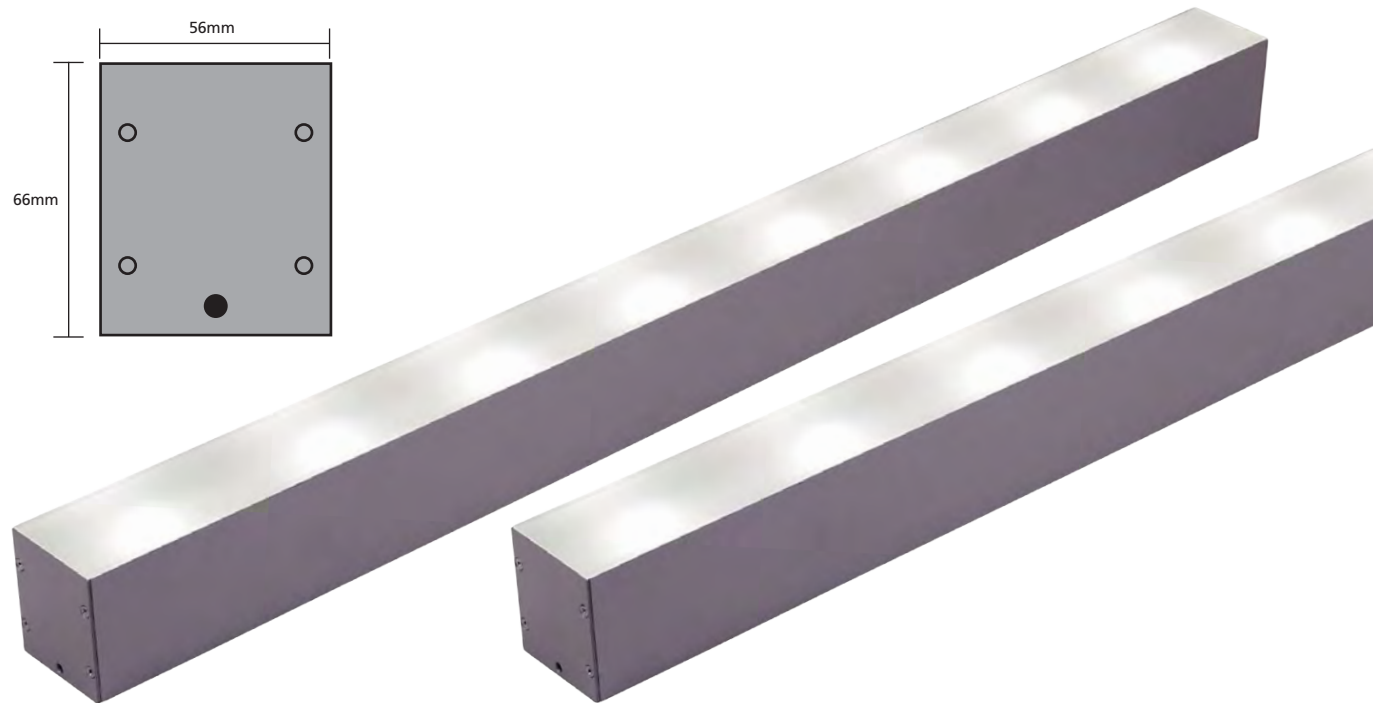
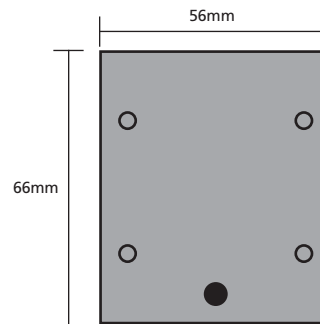
Diffuser 650c GWT.

Class 1 product EN55015 EN61547.

EN61000-3-2 EN60598-2-1.

Covers EMC/LV requirements, CE WEEE and ROHS compliant.

**For product support Freecall 1800 733 113
or Email info@yld.com.au**



Product code	LEDs	Length	Forward Voltage
AXB-LED	8.4w	810mm	24v
AXB-LED	12.6w	1210mm	36v
AXB-LED	21.0w	1615mm	2 x 24v
AXB-LED	25.2w	2515mm	2 x 36v

